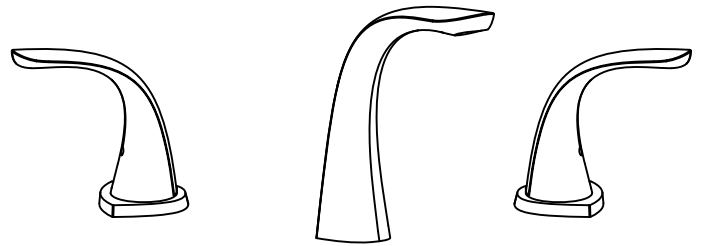




Installation Instructions

Kauai
BA-320-02

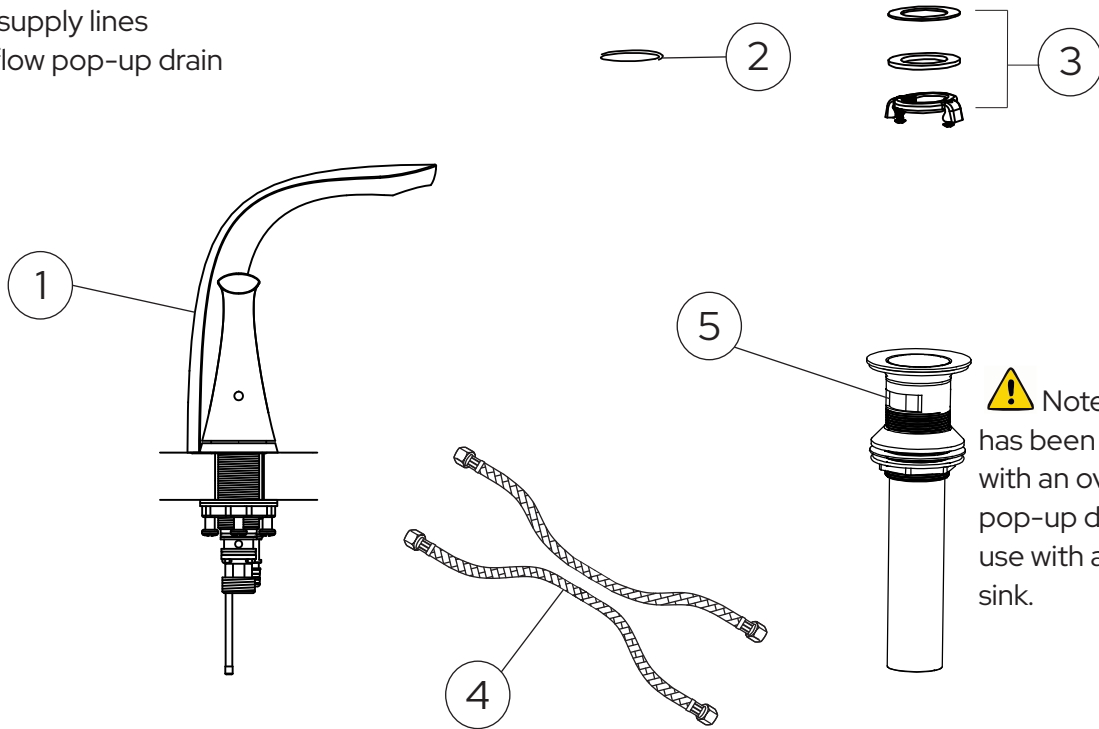
Two Handle Widespread Bathroom Faucet



Thank you for selecting Lulani.
To ensure that your installation proceeds smoothly, please read these instructions carefully before you begin.

Parts Included

- 1. Faucet
- 2. Above sink hardware: rubber O-ring
- 3. Below sink hardware: rubber washer, metal washer, mounting nut
- 4. Water supply lines
- 5. Over-flow pop-up drain



Recommended Tools (not included)

- 1. Adjustable Wrench
- 2. Phillips Screwdriver
- 3. Safety Goggles
- 4. Flashlight
- 5. Bucket
- 6. Measuring Tape
- 7. Plumber's Putty
- 8. Channel Locks
- 9. Allen Key



Caution: Tips for removal of old faucet

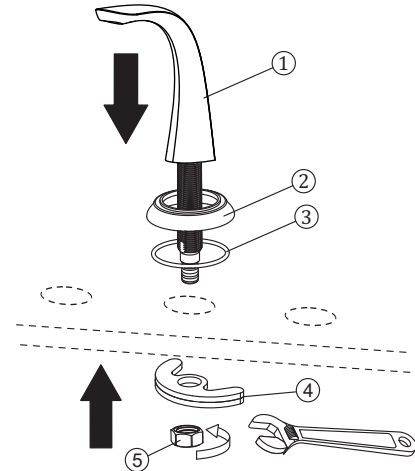
Always turn off the water supply before removing the existing faucet or replacing any part of the faucet. Open the faucet handle to relieve water pressure and ensure that water is completely shut off.

Maintenance

Your new faucet is designed for years of trouble-free performance. Keep it looking new by cleaning it periodically with a soft cloth. Avoid abrasive cleaners, steel wool, and harsh chemicals as these will dull the finish and void your warranty.

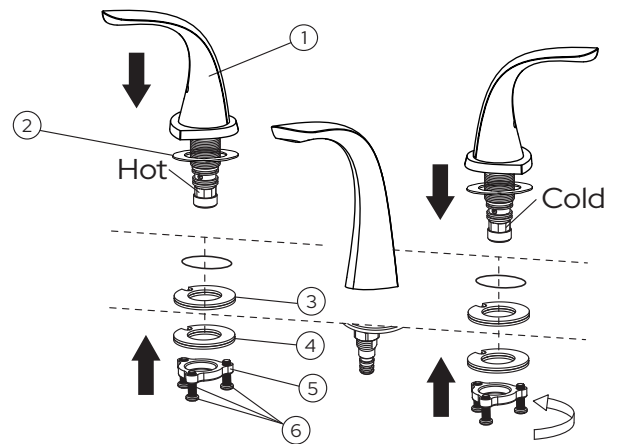
Step 1

Place the faucet body (1), base (2) and rubber O-ring (3) through the middle sink hole. From underneath the sink, secure it with the lock nut (4) and tighten the screw tip (5) with an adjustable wrench. **Do not over tighten!**



Step 2

Place the handles (1) in to the surrounding holes. Make sure that the Hot handle is placed in the left hole and the Cold handle is placed in the right hole, as shown in the image. From underneath the sink, secure the handles with the washers (2) and lock nuts (3). Tighten the screws (4) with a Phillips screwdriver. Repeat these actions for both handles.

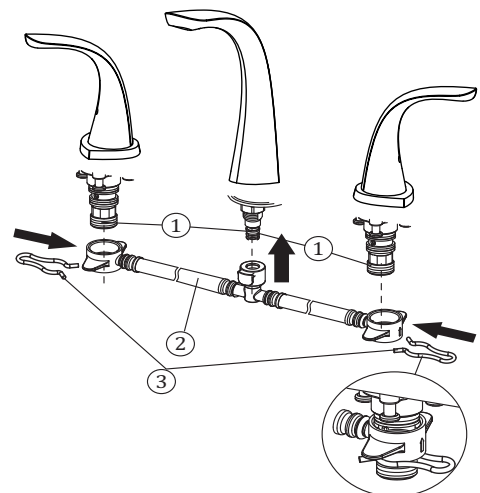


Step 3

Connect the "quick connect" hose (2) to the tail pipes (1) of both handles and the faucet. You will hear a "click" when it has been successfully connected. Use the provided clamps (3) to secure the ends of the "quick connect" hose.

NOTE: The "quick connect" hose can accommodate installation of handles from 4" - 14" spread.

PRO TIP: Putting the "quick connect" hose in hot water can provide additional pliability for installation.

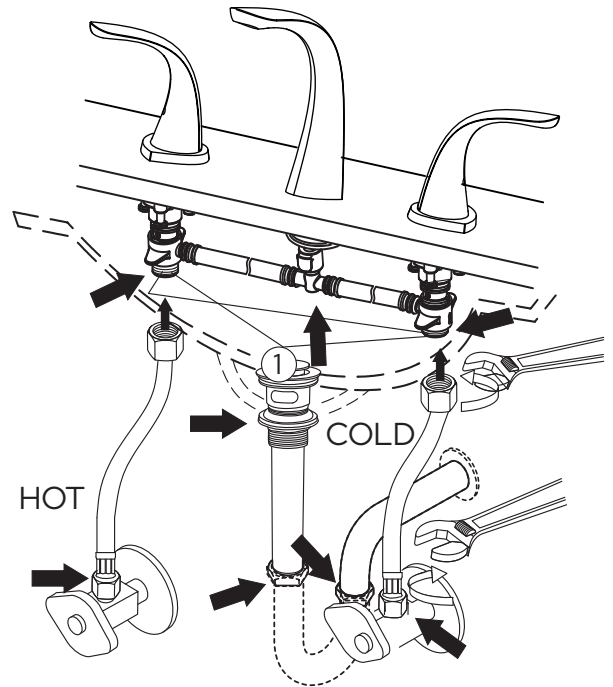


Step 4

Connect the water supply lines to the bottom ends of the "quick connect" hose (1) and to the hot and cold water supply valves. Secure and tighten with an adjustable wrench.

Caution: Be careful not to mix up the hot and cold supply lines.

Check all connections (shown with arrows in the image) for leaks. Re-tighten if necessary. **Do not over tighten!**



Step 5

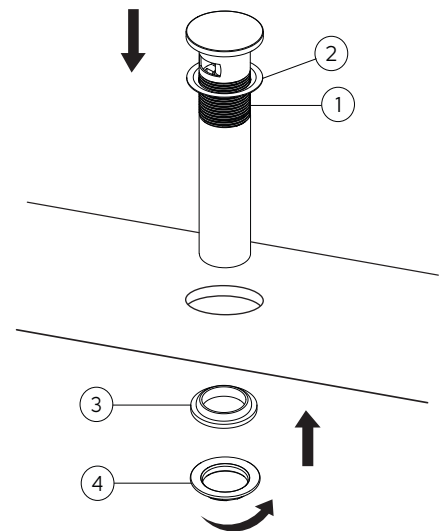
From the top of the drain hole, place the drain (1) through the installation hole. Make sure that the rubber o-ring (2) is on the top side of the sink. From under the drain hole, install the rubber gasket (3) and metal nut (4) by hand twisting on to the tail pipe of the drain. Then, install the tail pipe to the wall plumbing.

*Note: Lulani faucets are packaged with over-flow drains by default. If you have a specialty sink and need a NON-over-flow drain, use the QR code below to view our alternative drain options. Use code **[FREEDRAIN]** at checkout to receive a free drain, just pay for shipping.



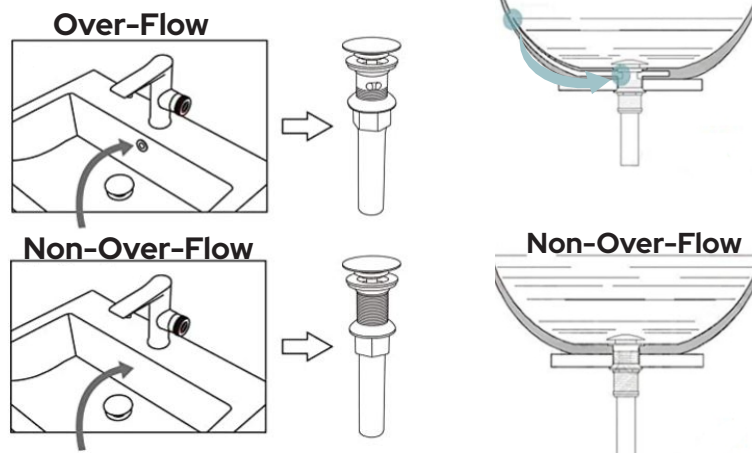
*Limit of 1-time use per customer

*Limited to the number of faucets purchased



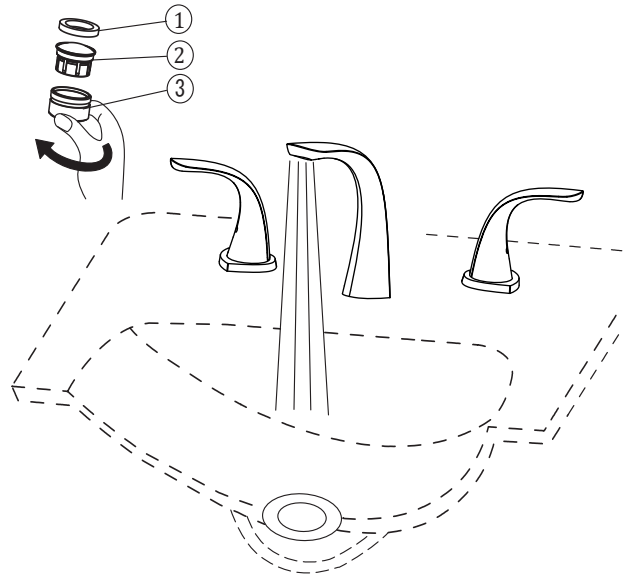
What's an over-flow pop-up drain?

The primary purpose of the over-flow drain is to help your sink drain faster. The over-flow on the drain works in coordination with the primary drain to prevent flooding.



Step 6

Hand remove the rubber O-ring (1), aerator core (2), and aerator collar (3). Turn the faucet handle all the way on, turn on the hot and cold water supply and flush the water lines for one minute. Then, re-install the aerator.



About our products

Delicate yet durable, the Kauai Two Handle Widespread Bathroom Faucet was designed after the flowers of Kauai's lush and tropical rainforest. Its Neoperl aerator, ceramic cartridges and water saving design make for smooth and easy operation. The same goes for the rest of the matching kitchen faucets and accessories in the larger Kauai Collection. Available in chrome and brushed nickel, all are backed by our Limited Lifetime Warranty.

BOLD, MODERN DESIGNS

Inspired by the world's most exotic locations, every Lulani product is designed to leave a lasting impression. After the initial sketch, our talented team of product engineers complete an extensive R&D process ensuring each piece performs beautifully.

ONLY THE HIGHEST QUALITY OF MATERIALS

We settle for nothing short of perfection. That's why we source only the finest raw materials, components, and finishes. No shortcuts. Only the best for you and your family.

BEAUTY THAT LASTS A LIFETIME

Our quality control experts meticulously test and retest each and every one of our products to ensure they exceed even the highest standards for health, safety and durability. From corrosion, pressure and decay resistance to flow rate and ease of assembly, all of our craftsmanship is backed by an industry-leading Lifetime Limited Warranty.



Congratulations! You've successfully finished installing your new faucet. For troubleshooting questions or concerns, please reference the Owner's Manual or visit our website at www.lulani.com.

We value your opinion! Don't forget to leave us a review.